

GTD-110/150

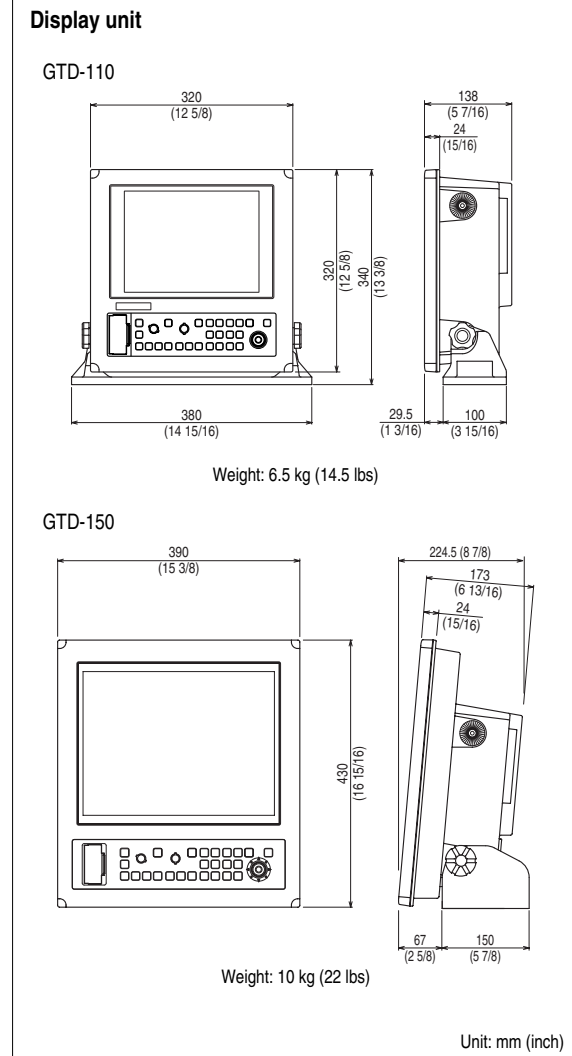
SPECIFICATIONS	
Type name	GTD-110/150
Display	GTD-110 10.4 inch High Brightness TFT Color LCD GTD-150 15 inch High Brightness TFT Color LCD
Map mode	Mercator projection
Display mode	North-up, East-up, South-up, West-up, Course-up (Waypoint), Head-up, Centered North-up
Track zooming range	0.01 to 3600 nm (or 0.02 to 6600 km)
Display Effective map creation area	Below latitude 75 degree
Plotting interval	Time 1, 2, 5, 10, 20, 30, 60, 120, 300, 600 sec Distance 0.01, 0.02, 0.05, 0.1, 0.2, 0.5, 1.0, 2.0, 5.0, 10.0 nm (km)
No. of plots	2000, 4000, 7000 (maximum plot) x 7 blocks
Track color	7 colors
Position data display	Lat/lon, Loran-C LOP
Navigation data display	Own ship's position, Own ship's course, Own ship's speed, Waypoint position, Waypoint bearing, Waypoint distance, POB position, POB bearing, POB distance, Cursor position, Cursor bearing, Cursor distance
Position registration	8300
Mark color	7 colors
Mark shape	○, □, ▽, ×, ☆, ◇, △ (The marks ☆, ◇, △ are only useable in Mark Editing mode)
Mapping Mapping nodes	500 points x 7 blocks
Display color	7 colors
Other ships plot	10 ID x 1000 points
Route memory	50 routes x 50 waypoints
Chart	C-Map NT / NT+ / NT MAX
Data card	C-Map User C-Card
Alarm	Arrival, POB, Cross track error, Depth, Grounding
Positional correction	By cursor or by lat/long data
Magnetic compass correction	Manual, Auto
Input data format	NMEA 0183 Ver 2.0/1.5 (GGA, GLL, VTG, ZDA, RMC, MSS, MTW, TTM)
Output data format	NMEA 0183 Ver 2.0 (APB, GGA, GLL, VTG, XTE, ZDA, GTD)
Memory backup	By Lithium battery (for SRAM backup) and Non-volatile ROM
Other functions	Loran-C LOP, Ring markers
Power supply voltage	10.8 to 31.2 VDC
Power consumption:	GTD-110 Less than 20 W (at 24 VDC) GTD-150 Less than 40 W (at 24 VDC)
Operating temperature	-15°C to +55°C (+5°F to +131°F)
Waterproof	Resistive against driven water, in compliance with IPX5

EQUIPMENT LIST

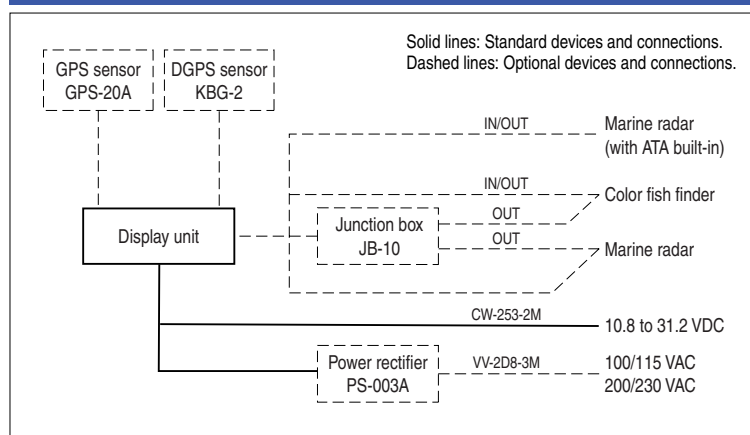
Standard equipment			
Display	GTD-110/GTD-150	With hard cover	1
DC power cable	CW-253-2M	5P connector fitted one end	1
Fuse	F-7161	10 A	1
Operation manual	93151542		1

Options			
GPS sensor	GPS-20A	For GPS signal reception	0.6 kg
DGPS sensor	KBG-2	For DGPS signal reception	1.8 kg
Junction box	JB-10	1-IN/3-OUT	0.42 kg
Power rectifier	PS-003A	With two 5 A fuses	2.8 kg
AC power cable	VV-2D8-3M	Flying leads on each end	3 m

DIMENSIONS AND WEIGHT



CONNECTIONS



• Design and specifications are subject to change without notice.

Koden Chart Plotter GTD-110/150, the best choice for safe navigation and effective fishing!

FEATURES



Loran-C LOP display

● The LOP display

The LOP (Line Of Position) display is still widely used among many fishermen in the world. The GTD-110/150 has the facility to show the Loran-C LOP display, easily switched from Lat/Lon display.



● Operation "easy"

Rotary controls and keypads, these operating devices are easy to find and straightforward to use. Further, symbol marking, track plotting and picture setting functions are individually grouped on the operating panel, permitting quick and effective operations. The newly added CANCEL key allows you to return to the last setting when you press a key by mistake.

● High brightness, wide angle Liquid Crystal Display

The GTD-110/150 offers a steady, crisp, flicker free image on a 10.4 inch (GTD-110) or 15 inch (GTD-150) high grade Liquid Crystal Display in a broad range of lighting conditions, bold contrast in daytime and finely defined in nighttime. The display has a wider viewing angle allowing monitoring from the sides as well as up or down.

● Electronic seamless data base charts

Seamless technology offers large area coverage at constant range scale, with the best available details.

The GTD-110/150 support C-Map NT, NT+ and NT MAX.

Combination of GTD-110/150 and enhanced chart C-Map NT MAX improves utilization revolutionary. C-Map NT MAX provides a wide variety of navigation information such as lighthouses, buoys, contours, tides, currents and so on.

● Various marks and greater numbers of ship's track

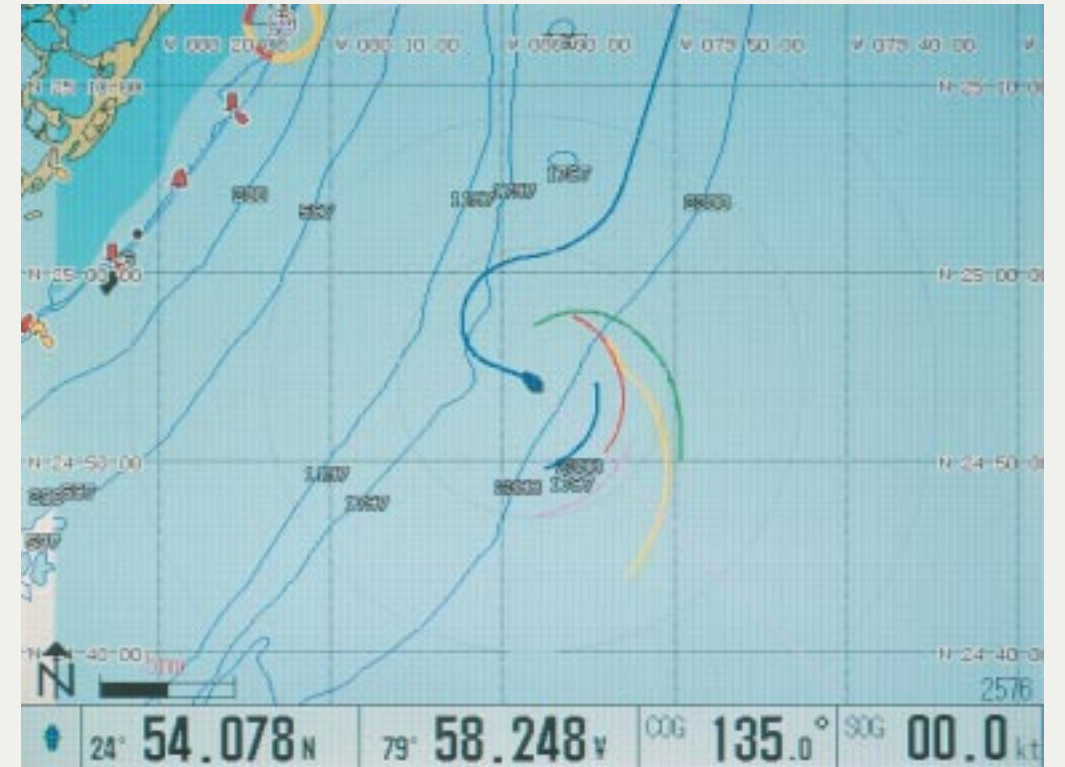
Marks are available in 7 different shapes and 2 kinds of size, up to 8,300 marks are available in total. Ship's track is available in 2 kinds of thickness and 7 colors, up to 49,000 points can be plotted on the ship's track. (7,000 points in 7 groups/tracks are also possible)

● Radar Plotting

This feature permits tracked radar plots to be overlaid on the screen, when a radar set with an ATA (Automatic Tracking Aid) function is connected to the GTD-110/150. The maximum numbers of ship's track are 10, with 1,000 plotting points each. Each track can be modified in terms of mark size, track thickness, color, course line display yes/no, etc.

Display example:

This picture shows the ship's tracks of own ship with ship's profile mark and other ships in different colors.



● Compact and waterproof

Where to install? The choice is yours. Track Display can be installed anywhere on the boat, on the table, tilted console or even on the fly bridge, thanks to a strengthened waterproof design, conforming to the IPX5 requirements.

● Data security

Even in the event of a system lock up or crash, all storage data is securely protected from accidental erasure by a double layer memory.

● The POB marking

This feature allows instant marking of the location of an accident such as man overboard at a press of the POB (Person Over Board) key. This key can also be used as an instant event key.



Navigate with confidence!